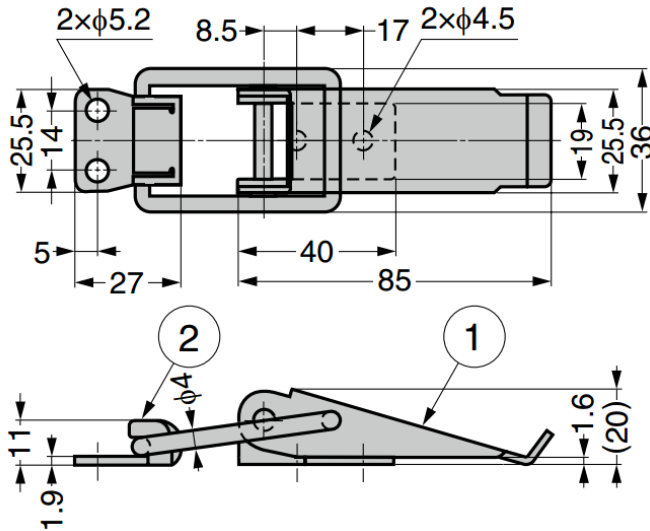


## GP91 Steel Draw Latch

No.	Part Name	Material	Finish
①	Body	Steel (SPCC)	Clear Zinc Chromate (Trivalent)
②	Counter Plate		



Part No.

GP91

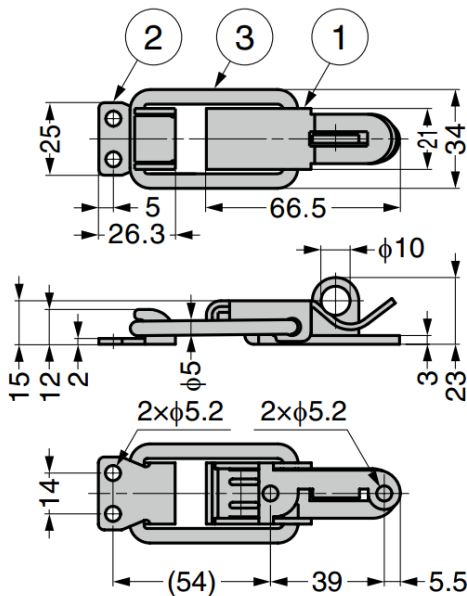
## GP34 Steel Draw Latch

### Features

- Can be used with padlock

### Recommended Screws

- Pan head screw M5



No.	Part Name	Material	Finish
①	Body	Steel (SPCC)	Coloured Zinc Chromate (Trivalent)
②	Counter Plate		
③	Arm	Steel (SWRM)	

Part No.

GP34